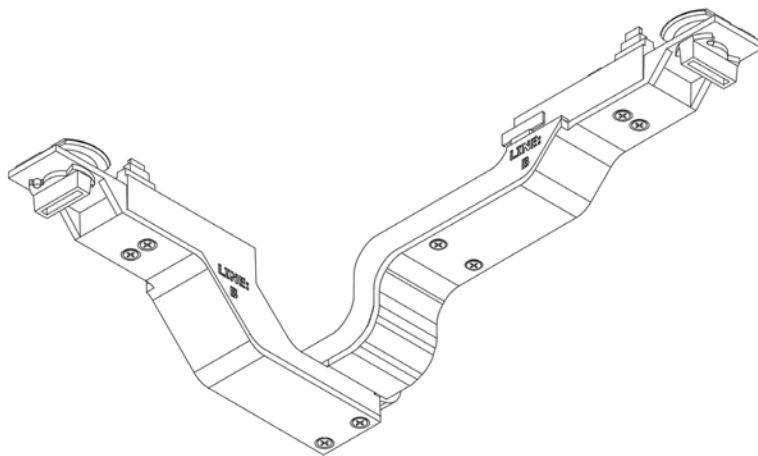


SLIMLINE JUMPER (20A)

Product	Amperage	Voltage	Catalog Number
JUMPER	20	120	MD2020-UNIV-IJ-W-X

Finish (F): B=Black

The Slim Line Jumpers are for use with single-deck 20amp lengths. The Jumper connects power to intersecting lengths.



Jumpers provide a three pole electrical connection for building X, T, L configurations. One Jumper powers intersecting 20amp single-deck lengths