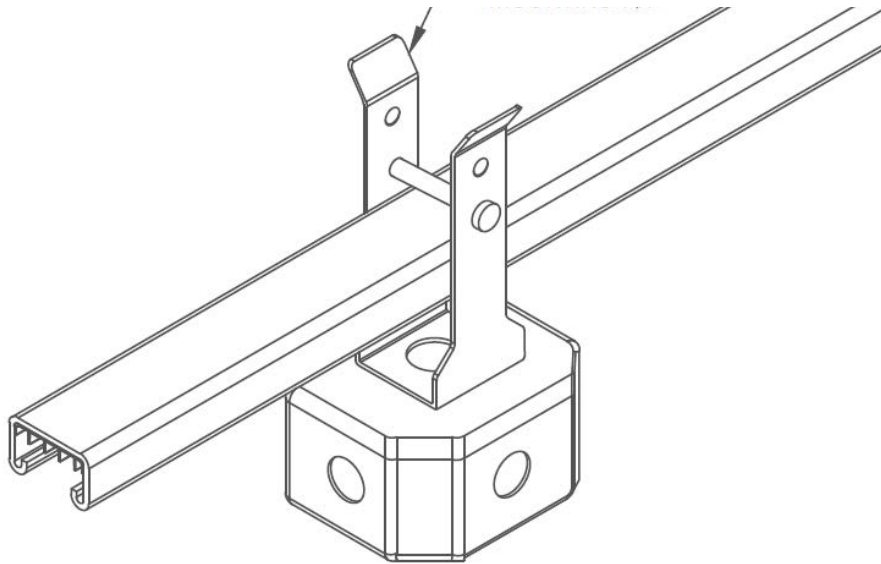


OCTAGON BOX (non-electric)

busSTRUT	Ckt Amps	Voltage	Type	CRI	Lamp lm	Fixture lm	Watts	lm/w	Beam	CBCP	(F) Finish	Catalog Number
LB	N/A	N/A	Non-Electric	N/A	N/A	N/A	N/A	N/A	N/A	N/A	B= Black W= White G= Galv	LB-DW-NE-(F)



Description:

- Octagon boxes are for use with single and double-deck.
- Come complete with mounting hardware.
- Available in galvanized, white, and black.

Application Photo

